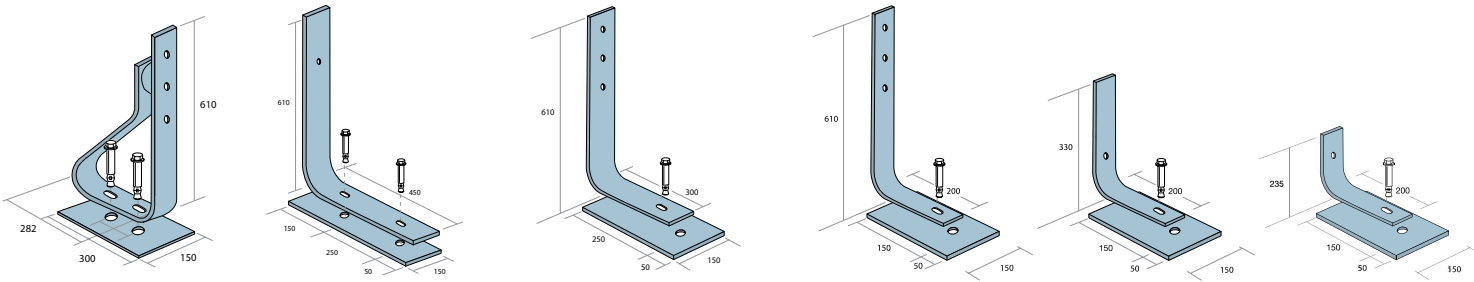


Technical Drawings

Spring Steel Buffers



GH Type 76 x 10mm

HDB Type 100 x 20mm

RB1 Type
100 x 14.3mm

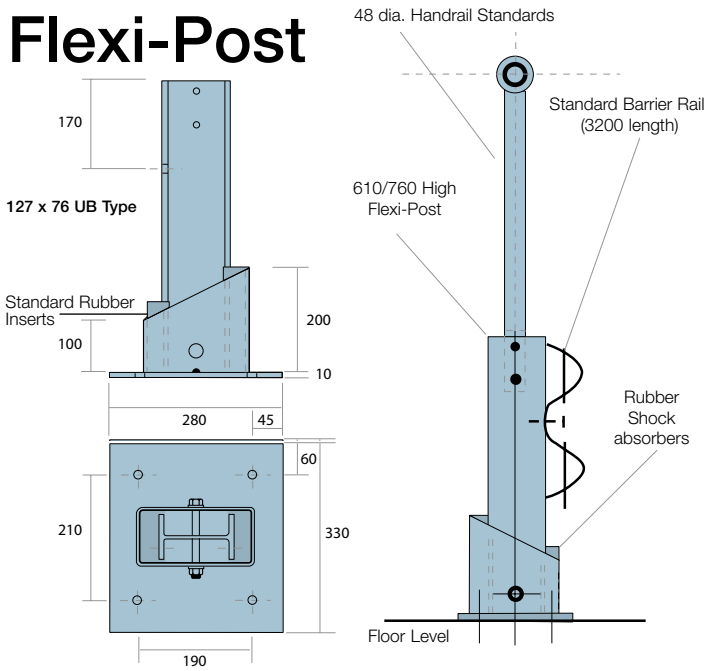
RB 610
76 x 12.7mm

RB 330
76 x 12.7mm

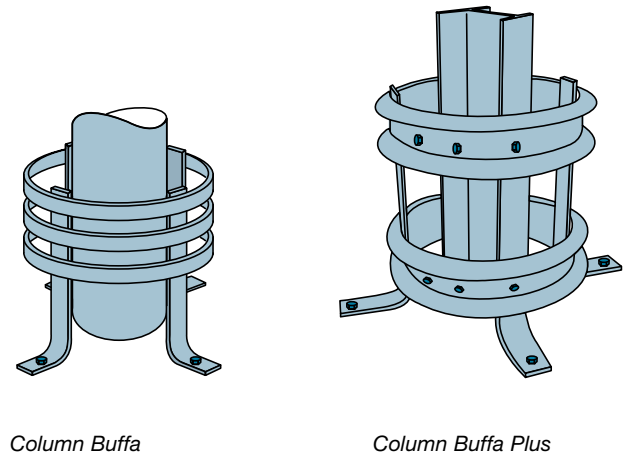
RB 235
76 x 12.7mm

Centre Hole fixing versions also available

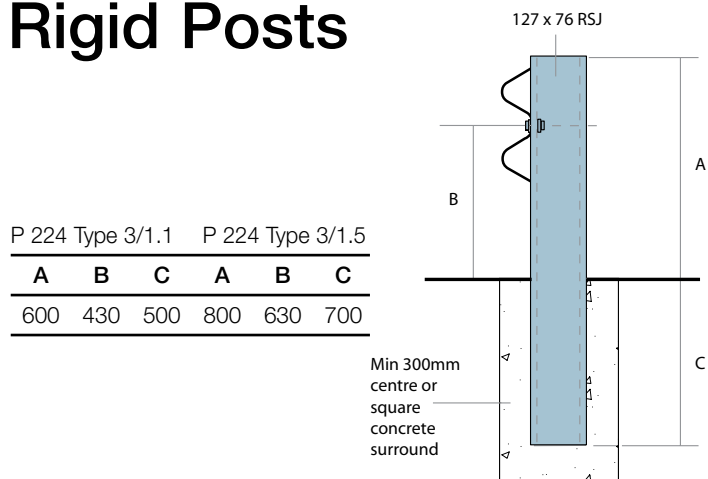
Flexi-Post



Column Protection



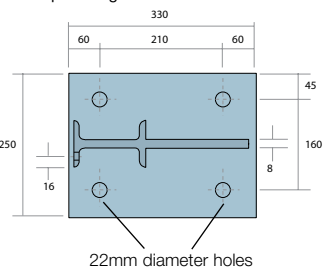
Rigid Posts



P 224 Type 3/1.1			P 224 Type 3/1.5		
A	B	C	A	B	C
600	430	500	800	630	700

P 224 Type 1*		P 224 Type 2	
A	B	A	B
610	440	760	570

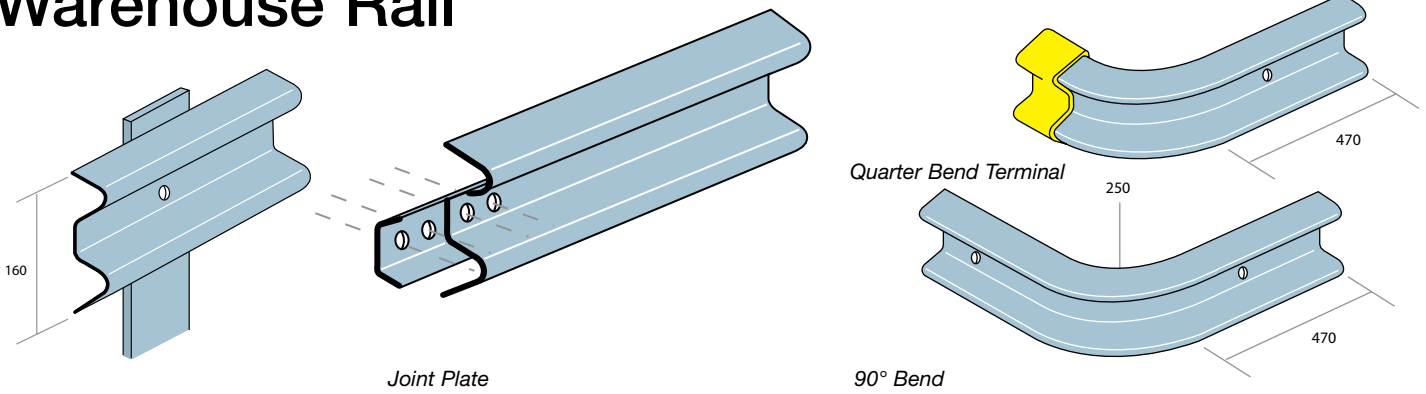
*Car park height



Bolt Down Post

Technical Drawings

Warehouse Rail



Joint Plate

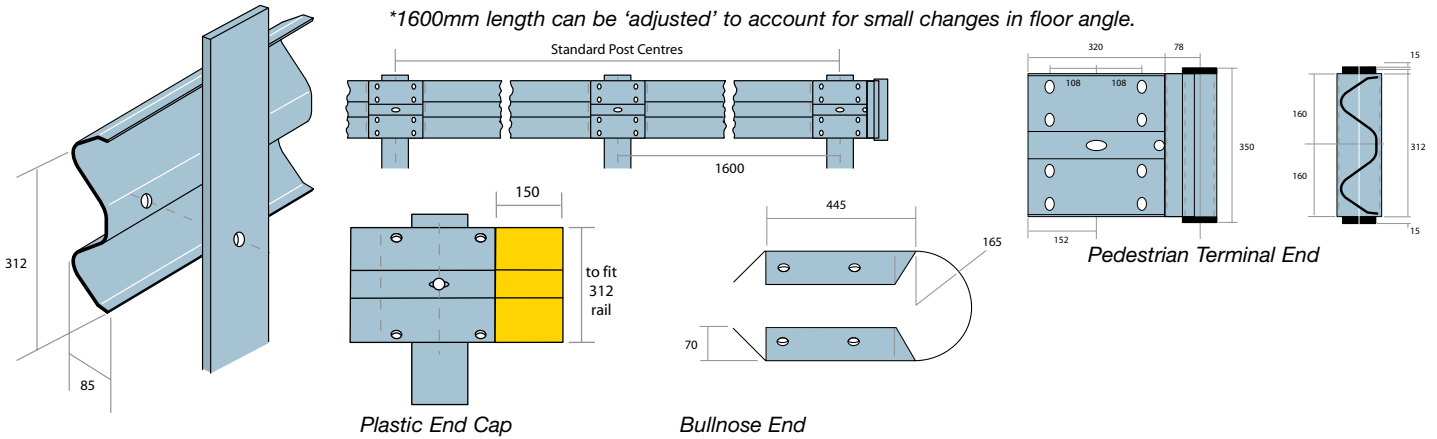
Quarter Bend Terminal

90° Bend

Barrier Rail

3mm Galvanised Mild Steel. Available in 3200mm and 1600mm* effective lengths.

*1600mm length can be 'adjusted' to account for small changes in floor angle.



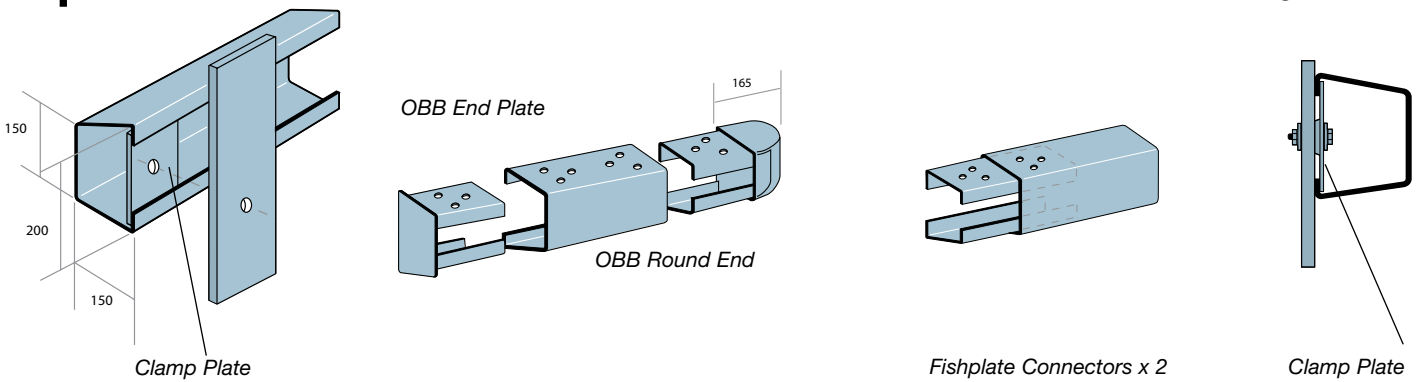
Plastic End Cap

Bullnose End

Pedestrian Terminal End

Open Box Beam

5mm Galvanised Mild Steel. Available in 4800mm or 2400mm lengths.



Clamp Plate

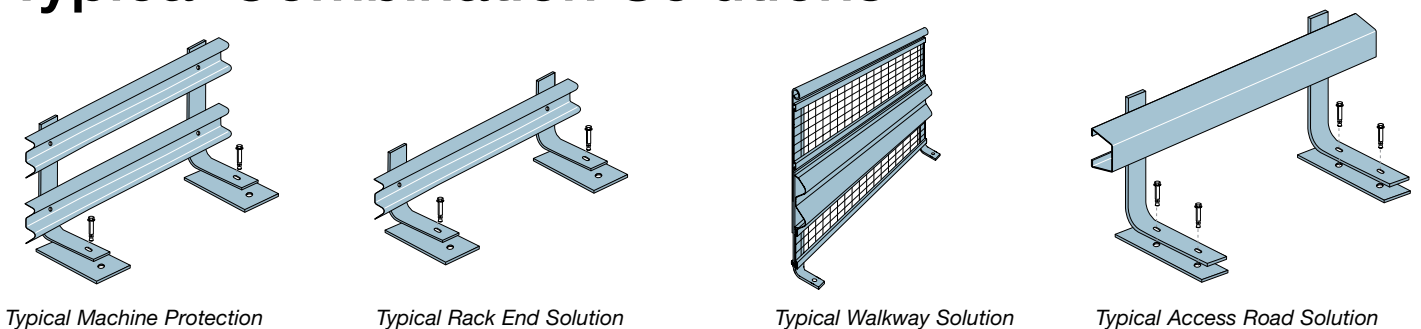
OBB End Plate

OBB Round End

Fishplate Connectors x 2

Clamp Plate

Typical Combination Solutions



Typical Machine Protection

Typical Rack End Solution

Typical Walkway Solution

Typical Access Road Solution